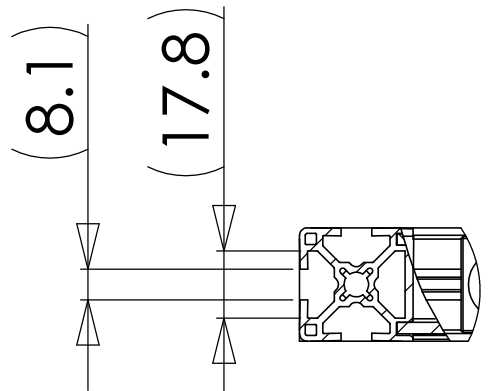
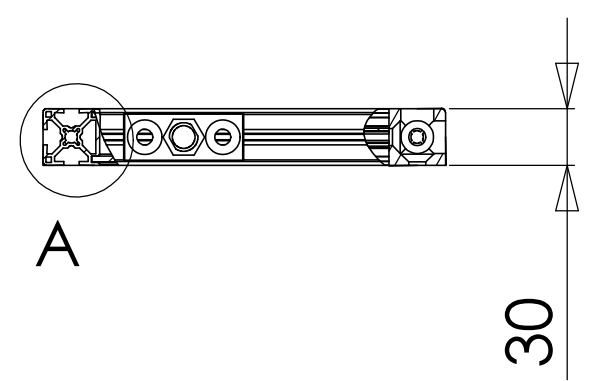
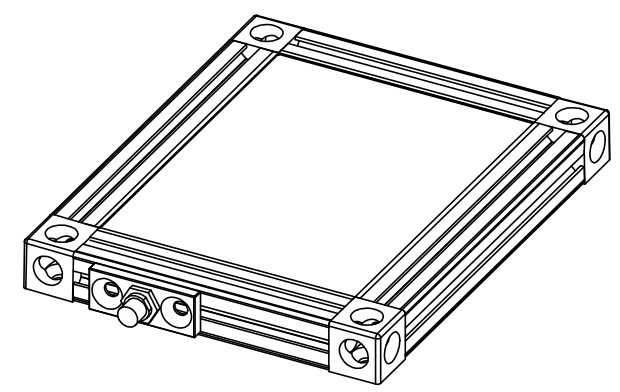
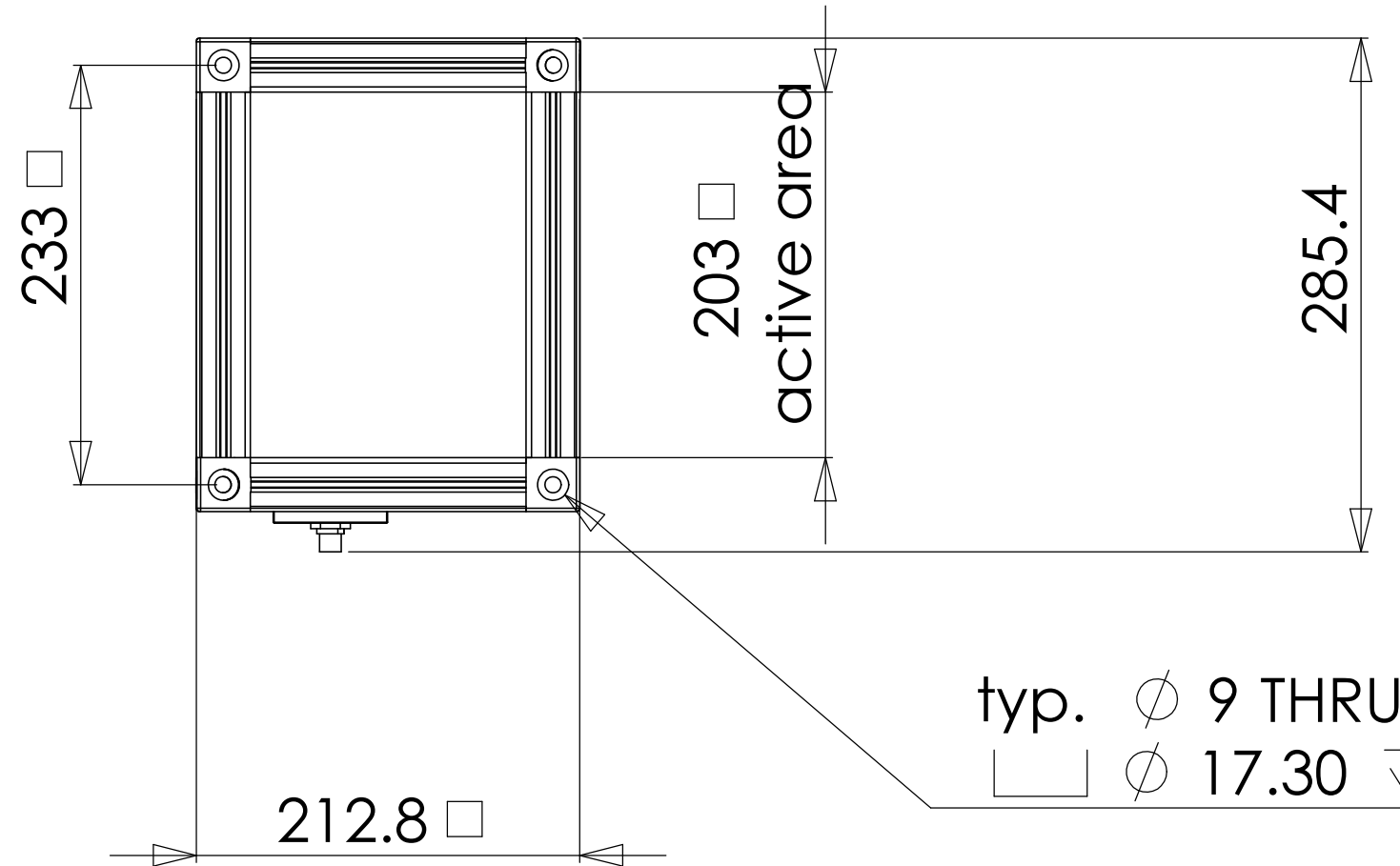


REVISIONS

ZONE	REV.	DESCRIPTION	DATE	APPROVED



DETAIL A
SCALE 1 : 2

PROPRIETARY AND CONFIDENTIAL
THE INFORMATION CONTAINED IN THIS DRAWING IS THE SOLE PROPERTY OF SmartVisionLights. ANY REPRODUCTION IN PART OR AS A WHOLE WITHOUT THE WRITTEN PERMISSION OF SmartVisionLights IS PROHIBITED.

UNLESS OTHERWISE SPECIFIED:		DATE	NAME	SOBL-150x200	
DIMENSIONS ARE IN MM		DRAWN BY	4/16/2010	SmartVisionLights.Com	
TOLERANCES:		CHECKED		matt@smartvisionlights.com	
FRACTIONAL \pm 1-64		ENG APPR.			
ANGULAR: MACH \pm .25° BEND \pm 3°		MFG APPR.			
TWO PLACE DECIMAL \pm .10 mm		Q.A.			
THREE PLACE DECIMAL \pm .01 mm		COMMENTS:			
INTERPRET GEOMETRIC TOLERANCING PER:				SIZE	DWG. Name
MATERIAL				B	SOBL-150x200
FINISH				SCALE: 1:4	REV
NEXT ASSY	USED ON			SHEET 1 OF 1	
APPLICATION					