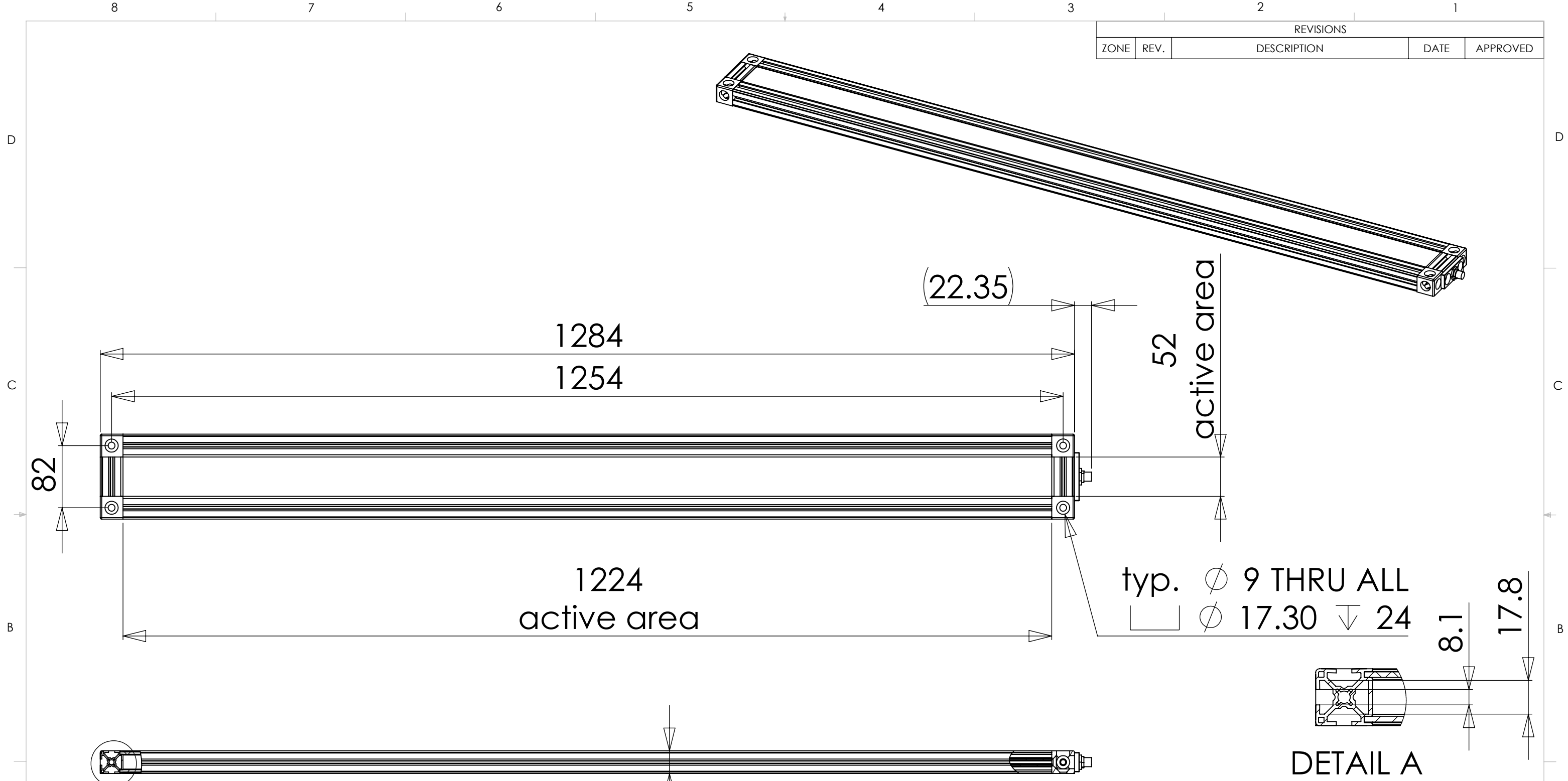


REVISIONS				
ZONE	REV.	DESCRIPTION	DATE	APPROVED



PROPRIETARY AND CONFIDENTIAL
 THE INFORMATION CONTAINED IN THIS DRAWING IS THE SOLE PROPERTY OF SmartVisionLights. ANY REPRODUCTION IN PART OR AS A WHOLE WITHOUT THE WRITTEN PERMISSION OF SmartVisionLights IS PROHIBITED.

UNLESS OTHERWISE SPECIFIED:	
DIMENSIONS ARE IN MM	DATE
TOLERANCES:	NAME
FRACTIONAL ±1-64	SOBL-1200x50
ANGULAR: MACH ±.25° BEND ±3°	SmartVisionLights.Com
TWO PLACE DECIMAL ±.10 mm	matt@smartvisionlights.com
THREE PLACE DECIMAL ±.01 mm	
INTERPRET GEOMETRIC TOLERANCING PER:	
MATERIAL	
FINISH	
NEXT ASSY	USED ON
APPLICATION	

DRAWN BY	9/7/2012
CHECKED	
ENG APPR.	
MFG APPR.	
Q.A.	
COMMENTS:	

SIZE	DWG. Name	REV
B	SOBL-1200x50	
SCALE: 1:5	SHEET 1 OF 1	