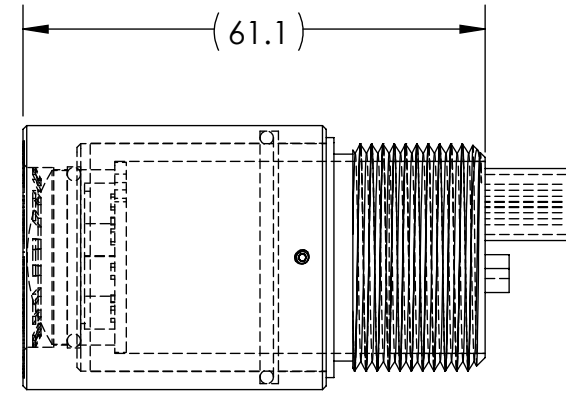
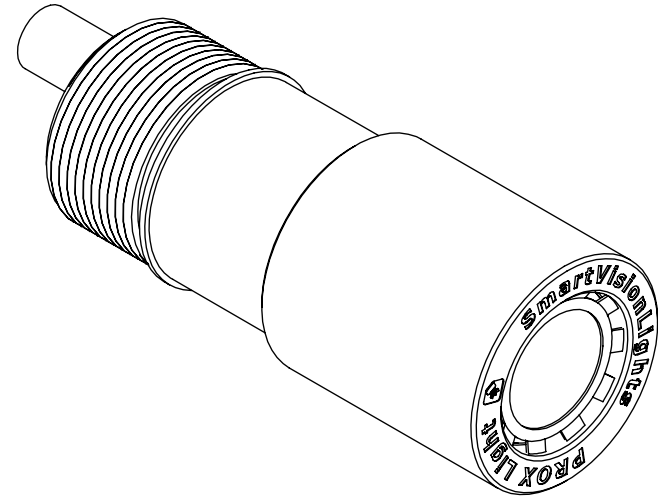
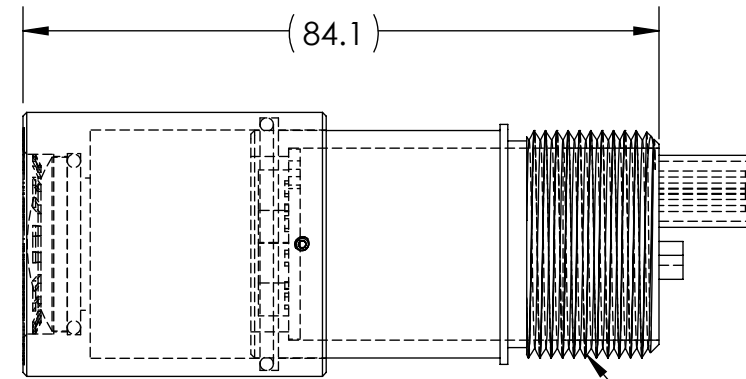
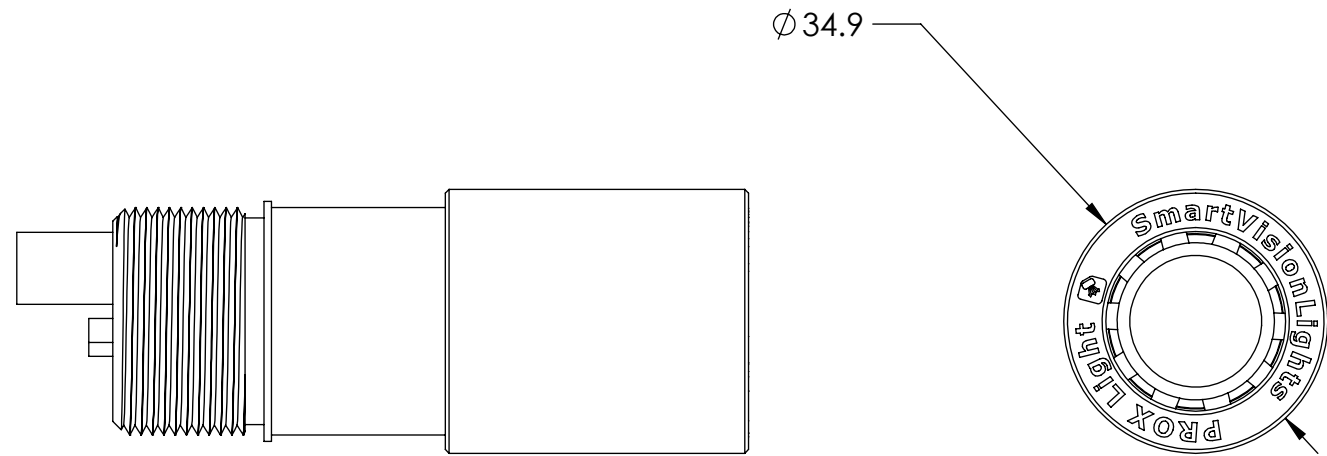


REVISIONS

ZONE	REV.	DESCRIPTION	DATE	APPROVED



CLOSED VIEW



OPEN VIEW

M30 x 1.5

**PROPRIETARY AND CONFIDENTIAL**  
 THE INFORMATION CONTAINED IN THIS DRAWING IS THE SOLE PROPERTY OF SmartVisionLights. ANY REPRODUCTION IN PART OR AS A WHOLE WITHOUT THE WRITTEN PERMISSION OF SmartVisionLights IS PROHIBITED.

UNLESS OTHERWISE SPECIFIED:		DATE	NAME	SA30
DIMENSIONS ARE IN MM		4/30/2012		
TOLERANCES:		DRAWN BY		SmartVisionLights.Com matt@smartvisionlights.com
FRACTIONAL ±1-64		CHECKED		
ANGULAR: MACH ±.25° BEND ±3°		ENG APPR.		
TWO PLACE DECIMAL ±.10 mm		MFG APPR.		
THREE PLACE DECIMAL ±.01 mm		Q.A.		SIZE DWG. Name REV <b>B</b> SA30-web
INTERPRET GEOMETRIC TOLERANCING PER:		COMMENTS:		
MATERIAL				SCALE: 1:1
NEXT ASSY	USED ON			SHEET 1 OF 1
APPLICATION				