

8

7

6

5

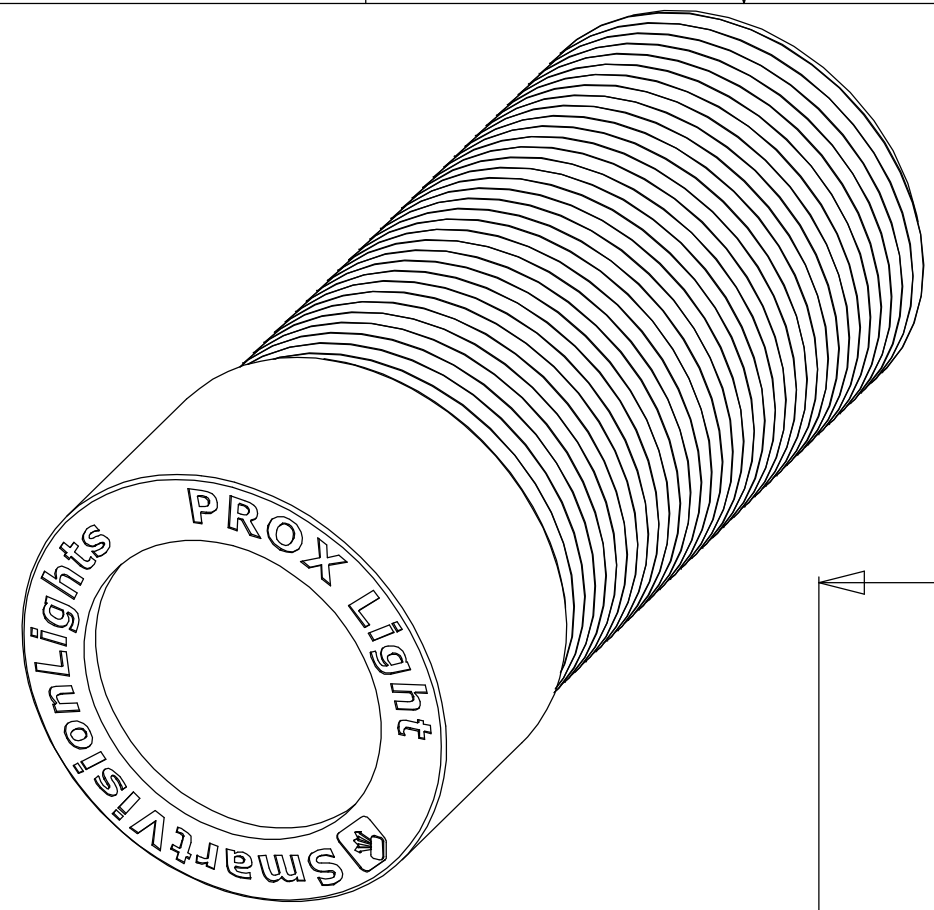
4

3

2

1

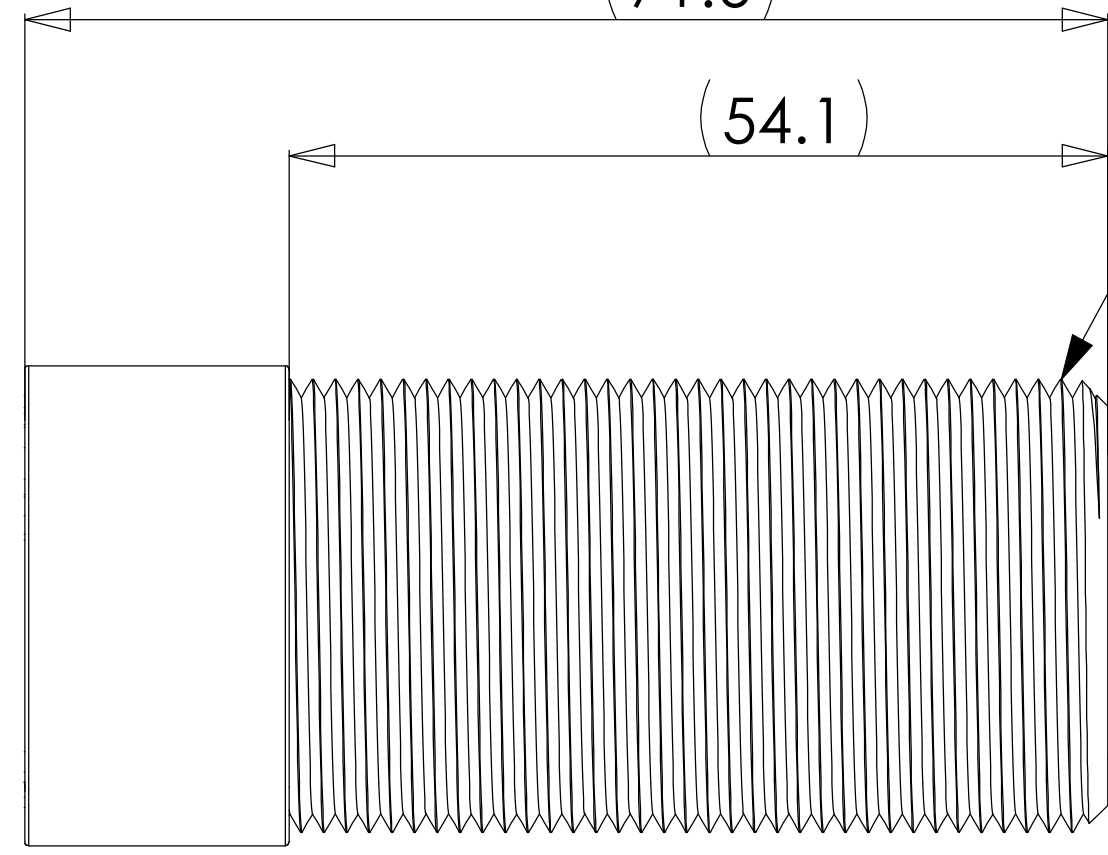
| REVISIONS |      |             |      |          |
|-----------|------|-------------|------|----------|
| ZONE      | REV. | DESCRIPTION | DATE | APPROVED |
|           |      |             |      |          |
|           |      |             |      |          |
|           |      |             |      |          |



M30 x 1.5

(71.6)

(54.1)



All data contained herein is subject to change without notice

**PROPRIETARY AND CONFIDENTIAL**  
 THE INFORMATION CONTAINED IN THIS DRAWING IS THE SOLE PROPERTY OF SmartVisionLights. ANY REPRODUCTION IN PART OR AS A WHOLE WITHOUT THE WRITTEN PERMISSION OF SmartVisionLight IS PROHIBITED.

|                              |         |           |           |                            |              |
|------------------------------|---------|-----------|-----------|----------------------------|--------------|
| UNLESS OTHERWISE SPECIFIED:  |         | DATE      | NAME      | 07155-010                  |              |
| DIMENSIONS ARE IN MM         |         | DRAWN BY  | 6/15/2007 | SmartVisionLights.Com      |              |
| TOLERANCES:                  |         | CHECKED   |           | matt@smartvisionlights.com |              |
| FRACTIONAL ±1-64             |         | ENG APPR. |           | SIZE                       | DWG. Name    |
| ANGULAR: MACH ±.25° BEND ±3° |         | MFG APPR. |           | <b>B</b>                   | 07155-010    |
| TWO PLACE DECIMAL ±.10 mm    |         | Q.A.      |           | REV                        |              |
| THREE PLACE DECIMAL ±.01 mm  |         | COMMENTS: |           | SCALE: 2:1                 | SHEET 1 OF 5 |
| NEXT ASSY                    | USED ON | FINISH    |           |                            |              |
| APPLICATION                  |         |           |           |                            |              |

8

7

6

5

4

3

1