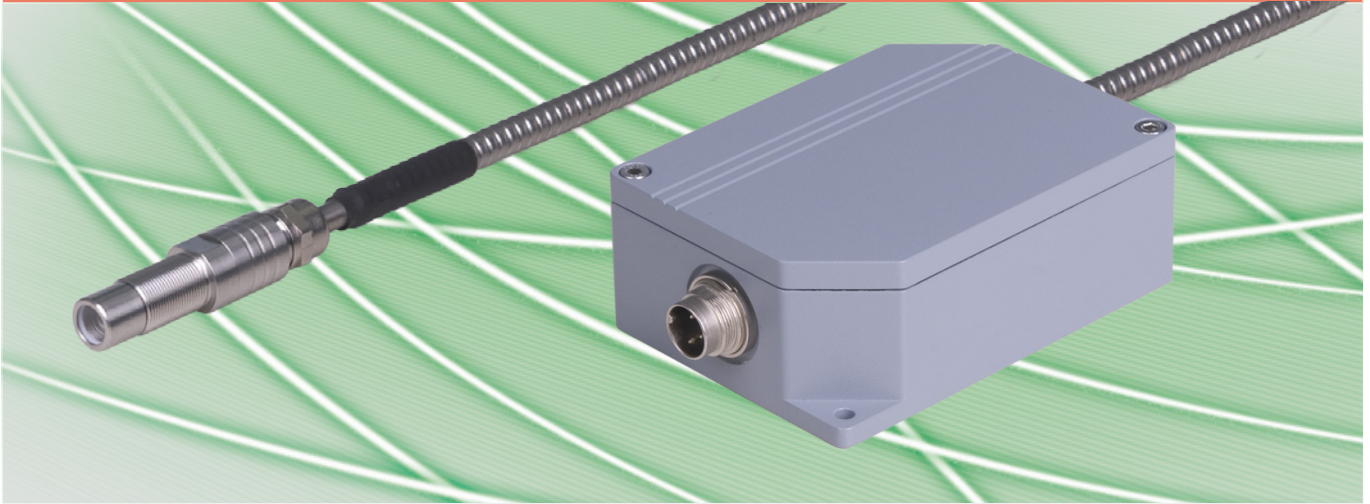


PYROSPOT DSF 30NG and DSF 34NG

Pyrometer with fibre cable for application in glass industry

Overview

Digital pyrometers with USB or RS-485 interface



Features

- For temperature measurements between 600 °C and 1800 °C
- Pyrometers specifically for glass industry
- Extremely robust aluminium housing
- Air purge unit with sighting tube for optical head
- Special mono fibre optics cable (length up to 30 m)
- Temperature linear standard output

Description and applications

The digital pyrometers PYROSPOT DSF 30NG and DSF 34NG are specifically designed for application in glass industry. Temperature measurement from 600 °C to 1800 °C in glass tank, working end, forehearth and feeder is easily realisable.

The solid construction in robust aluminium housing with special mono fibre optics cable (up to 30 m) allows usage even under rough environmental conditions and ambient temperatures of up to 250 °C.

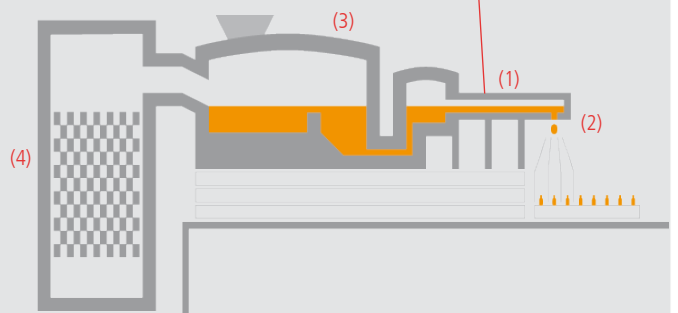
Several air purge units with inconel tubes of different lengths are available for the special optical head and can be mounted together. The lens can be easily cleaned or replaced.

The temperature linear standard output signal (DSF 30NG: 4 to 20 mA, DSF 34 NG: 0/4 to 20 mA) allows easy implementation in existing measurement and control systems.

The device is equipped with a galvanically isolated interface (DSF 30NG: USB, DSF 34NG: RS-485). Due to direct PC connection, parameters like sub range and response time can be easily adjusted by using the convenient parameterizing and evaluation software PYROSOFT Spot.

Typical application areas:

- Glass temperature measurement:
 - in forehearth (1)
 - in feeder (2)
 - in glass tank (3)
- Temperature measurement of brickworks:
 - tank side walls (3)
 - in regenerator (4)
 - tank roof (3)



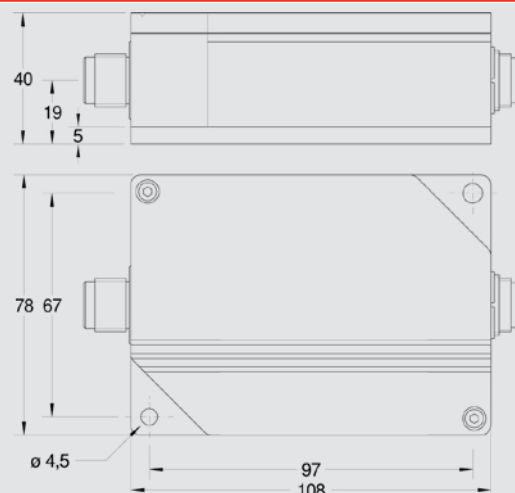
PYROSPOT DSF 30NG and DSF 34NG

Pyrometer with fibre cable for application in glass industry

Technical data		
Type (Order number)	DSF 30NG (4300040301)	DSF 34NG (4340040201)
Temperature range	600 °C to 1800 °C	600 °C to 1800 °C
Sub temperature range	adjustable within temperature range, minimum span 50 °C	
Spectral range	0.8 µm to 1.1 µm	0.8 µm to 1.1 µm
Optics	FOH-G, aperture diameter D = 11 mm	
Distance ratio	> 100 : 1	
Measurement uncertainty ¹	0.3 % of measured value	
Reproducibility ¹	0.1 % of measured value	
NETD ²	0.1 K ¹	
Response time	10 ms, adjustable up to 10 s, default 200 ms	
Emissivity	0.05 to 1.00, adjustable in the device	
Test signal	12 mA, switchable at the device	10/12 mA, according to adjustment 0/4 to 20 mA, switchable at the device
Output	4 to 20 mA, temperature linear, max. burden 700 Ω at 24 V	0/4 to 20 mA ³ , temperature linear, max. burden 500 Ω
Interface	USB (galvanically isolated)	RS-485 (galvanically isolated), half duplex, Modbus RTU
Aiming	none	
Software	PYROSOFT Spot for Windows®, optional: PYROSOFT Spot Pro	
Parameters	emissivity adjustable at the device, readout via software, response time, sub temperature range adjustable via interface and software	
Power supply	24 V DC ± 25 %	
Power consumption	max. 0.6 W	max. 1.5 W
Operating temperature	0 °C to 70 °C (pyrometer), up to 250 °C (fibre cable and optical head)	
Storage temperature	-20 °C to 70 °C	
Weight	appr. 500 g (without fibre cable and optical head)	
Dimensions	appr. 110 mm × 70 mm × 30 mm	
Housing	aluminium housing	
Safety class	IP 65 (according to DIN 40 050 and EN 60529)	
CE symbol	according to EU regulations (EN 50 011)	
Scope of delivery	PYROSPOT DSF 30NG or DSF 34NG, manual, inspection sheet, PYROSOFT Spot for Windows® (without connecting cable, fibre cable and optics, please order separately)	

¹ T₀ = 23 °C, ε = 1, t95 = 1 s. ² Noise equivalent temperature difference. ³ Switchable via software.

Dimensional drawing



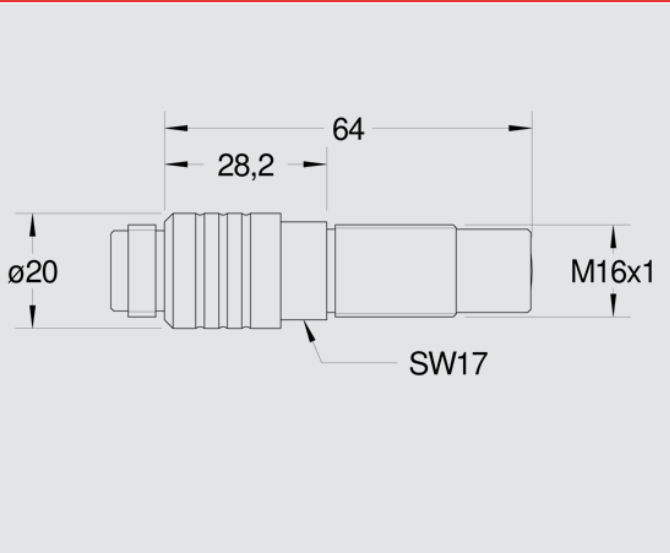
PYROSPOT DSF 30NG and DSF 34NG

Pyrometer with fibre cable for application in glass industry

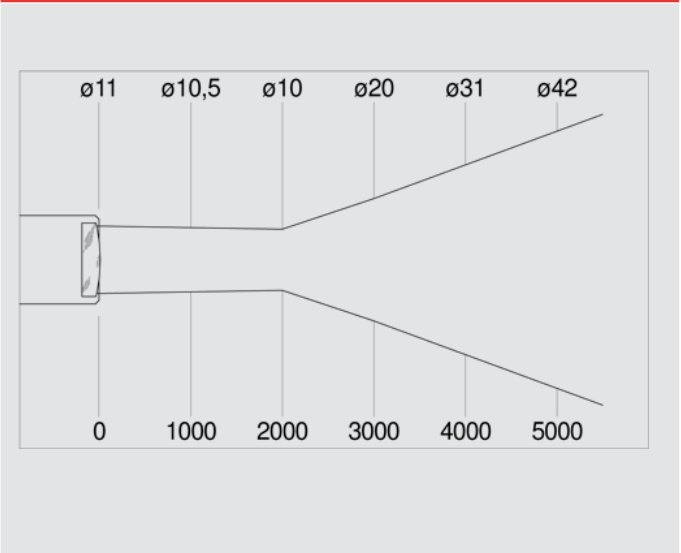
Optics type FOH-G (Order number 3310A50090)

Measuring distance a [mm]	0	500	1000	2000	3000	4000	5000
	Measuring field diameter M [mm]						
DSF 30NG (600 °C to 1800 °C)	11.0	10.7	10.5	10.0	20.0	31.0	42.0
DSF 34NG (600 °C to 1800 °C)	11.0	10.7	10.5	10.0	20.0	31.0	42.0

Dimensional drawing FOH-G



Measuring field optics FOH-G



Inside view pyrometer



PYROSPOT DSF 30NG

PYROSPOT DSF 30NG and DSF 34NG

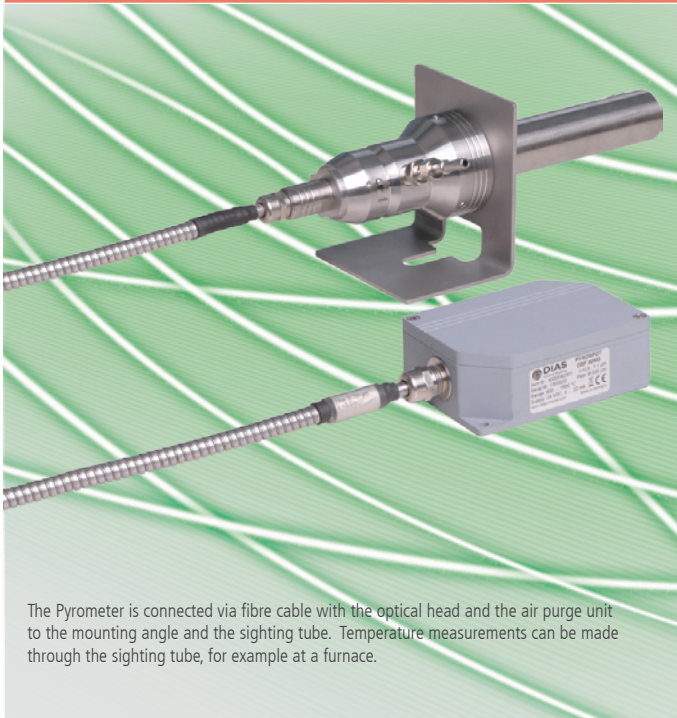
Pyrometer with fibre cable for application in glass industry

Accessories ¹			Order number
Connection cable, 3 pin (DSF 30NG)	Connection cable, 12 pin, straight plug (DSF 34NG)	length 2 m	3310A15311
		length 5 m	3310A15312
		length 10 m	3310A15313
		length 15 m	3310A15314
		length 20 m	3310A15315
		length 25 m	3310A15316
		length 30 m	3310A15317
Fibre cable, stainless steel cable coating, twist proof		length 5 m	3310A42104
		length 6 m	3310A42109
		length 7,5 m	3310A42105
		length 10 m	3310A42106
		length 15 m	3310A42107
		length 20 m	3310A42108
Optical head		FOH-G	3310A50090
Screw cap with lens		for FOH-G (spare part)	3310A21530
Power supply PSU 15		24 V DC/0,6 A	3310A12010
Air purge unit for FOH-G		including mounting angle	3310A22529
Sighting tubes for air purge unit		inconel tube, 140 mm	3310A25010
		inconel tube, 600 mm	3310A25020
		ceramics tube, 300 mm, opened end	3310A25050
		ceramics tube, 600 mm, opened end/closed end	3310A25060/3310A25070

¹ More accessories available.

Air purge unit and mounting angle

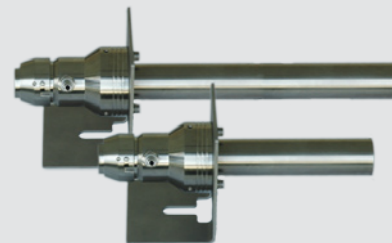
Example



Air purge unit with mounting angle



Air purge unit with mounting angle and sighting tube



Technische Änderungen vorbehalten. Technical details are subject to change. 15.08.13



We are certified for many years according to ISO 9001

Phone: +49 351 896 74-0
 Fax: +49 351 896 74-99
 E-Mail: info@dias-infrared.de
 Internet: www.dias-infrared.com

DIAS Infrared GmbH
 Pforzheimer Straße 21
 01189 Dresden
 Germany