

MTC-4015

15" Fanless Multi-Touch Computer, Intel® Core™ i7/ i5/ i3 Processor (Broadwell-U), 6 Gigabit LAN with 4 PoE+, 2 External SSD Tray, 2 External SIM Socket, 4 COM, 5 USB, Isolated DIO, 6V to 36V DC-in with 80V Surge Protection, Extended Temperature

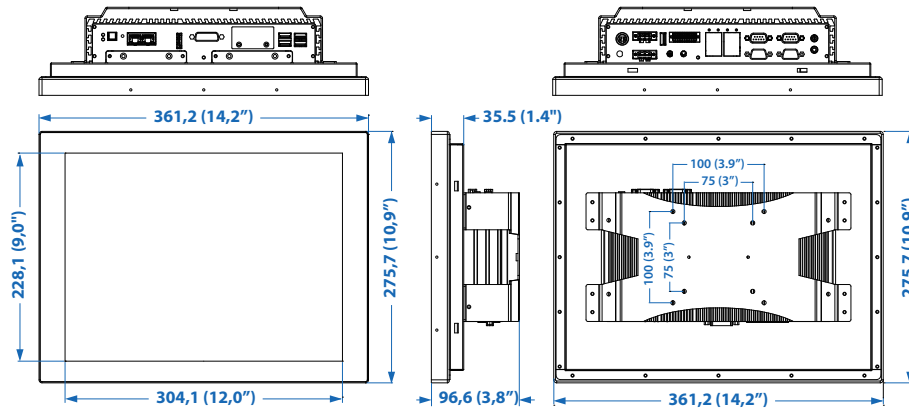


- 15" 1024 x 768 (4:3) LCD panel with LED backlight
- Projected Capacitive Multi-touch Screen with 7H anti-scratch surface, up to 20-point Multi-touch
- Touchscreen works with gloves
- 6V to 36V DC-in, 80V Surge Protection
- IP65 Front Panel Protection (Optional)
- Fanless, 5th Generation Intel® Core™ i7/ i5/ i3 Processor (Broadwell-U)
- 6 Gigabit LAN with 4 IEEE 802.3at PoE+
- 2 SIM Card Socket for 3G/ 4G/ WiFi/ GPRS/ UMTS
- 16 Isolated DIO, Ignition Control
- External CFast, SSD, 2 USB 3.0, 3 USB 2.0, 4 COM



Dimensions & Drawing

Unit: mm (inch)



Specifications

Panel

Type	a-Si TFT-LCD
Viewable Size	15" (4:3)
Resolution	1024 x 768
Display Color	16.7 M
Backlight	LED
Brightness (cd/m ²)	250
Viewing Angles	80/80/80/80 (L/R/U/D)
Contrast Ratio	600:1

Touch Screen

Type	Projected Capacitive, up to 20-point Multi-touch
Transparency	≥ 91%
Surface Hardness	7H
Control Interface	USB

System

Processor	Intel® Core™ i7/ i5/ i3 Processor (Broadwell-U)
SIO	IT8786E
Memory	2 DDR3L 1333/ 1600 MHz SO-DIMMs, up to 16GB
Display	<ul style="list-style-type: none"> DVI-D : Up to 1920 x 1080 @ 60Hz DisplayPort : Up to 3840 x 2160 @ 60Hz
Audio	1 Mic-in, 1 Line-out
Software Support	Windows 8, Windows 7, Linux

I/O Interface

Serial	4 COM RS-232/ 422/ 485
USB	<ul style="list-style-type: none"> 2 USB 3.0 3 USB 2.0
Isolated DIO	16 Isolated DIO : 8 DI, 8 DO (MTC-4015-PoER only)
DIO	16 DIO : 8 DI, 8 DO (MTC-4015-2R only)
LAN 1	Intel® I218 Gigabit LAN supports iAMT 9.5
LAN 2	Intel® I210 Gigabit LAN
LAN 3	Gigabit IEEE 802.3at (25.5W/48V) PoE+ by Intel® I210 (MTC-4015-PoER Only)
LAN 4	Gigabit IEEE 802.3at (25.5W/48V) PoE+ by Intel® I210 (MTC-4015-PoER Only)
LAN 5	Gigabit IEEE 802.3at (25.5W/48V) PoE+ by Intel® I210 (MTC-4015-PoER Only)
LAN 6	Gigabit IEEE 802.3at (25.5W/48V) PoE+ by Intel® I210 (MTC-4015-PoER Only)

Storage

SATA HDD	2 SATA III (External, 6Gbps)
mSATA	1 SATA III (Mini PCIe Type, 6Gbps)
Storage Device	<ul style="list-style-type: none"> 1 CFAST Slot, Push-in/ Push-out Ejector 2 2.5" SSD/ HDD Tray

Expansion

SIM Card	<ul style="list-style-type: none"> 2 SIM Card Socket (External)
Mini PCIe Slot	<ul style="list-style-type: none"> 2 Mini PCIe Socket : <ul style="list-style-type: none"> - 1 supports PCIe/ USB/ External SIM - 1 supports PCIe/ USB/ External SIM/ mSATA

Power

Input Voltage	DC-in 6V to 36V
Power Input	<ul style="list-style-type: none"> 3-pin Terminal Block : V+, V-, Frame Ground Mini-DIN 4-pin
Ignition Control	16 Mode (Internal)
Power Adapter	AC to DC 120W power adaptor (Optional)
Remote Switch	3-pin Terminal Block : On, Off, IGN
Surge Protection	Up to 80V/1ms Transient Power

Others

TPM	Optional Infineon SLB9665 supports TPM 2.0, LPC Interface
Watchdog Timer	Reset : 1 to 255 sec./min. per step
Smart Management	Wake on LAN, PXE supported
HW Monitor	Monitoring temperature, voltages. Auto throttling control when CPU overheats

Mechanical

Dimensions	361.2 x 275.7 x 96.6mm (14.2" x 10.9" x 3.8")
Gross Weight	5.3 kg (11.7 lb)
IP Protection	Front Panel IP65 compliant (Optional)
Mounting	<ul style="list-style-type: none"> VESA mount (75 x 75mm, 100 x 100mm) Panel mount

Environment

Operating Temp.	-20°C to 70°C (-4°F to 158°F)
Storage Temp.	-30°C to 80°C (-22°F to 176°F)
Humidity	10% to 90%, non-condensing
Vibration	<ul style="list-style-type: none"> IEC 60068-2-64 Non-operation : 10Hz to 200Hz, 1.5 Grms, X, Y, Z, 30 mins each Axis
Shock	<ul style="list-style-type: none"> IEC 60068-2-27 20G, Half-sine, 11ms
EMC	CE, FCC

Order Information

MTC-4015-PoER650U	15" Fanless Multi-Touch Computer, 6 GbE LAN with 4 PoE+, 2 SSD Tray, 2 SIM, 4 COM, 5 USB, Isolated DIO, Onboard Intel® Core™ i7-5650U
MTC-4015-PoER350U	15" Fanless Multi-Touch Computer, 6 GbE LAN with 4 PoE+, 2 SSD Tray, 2 SIM, 4 COM, 5 USB, Isolated DIO, Onboard Intel® Core™ i5-5350U
MTC-4015-PoER010U	15" Fanless Multi-Touch Computer, 6 GbE LAN with 4 PoE+, 2 SSD Tray, 2 SIM, 4 COM, 5 USB, Isolated DIO, Onboard Intel® Core™ i3-5010U
MTC-4015-2R650U	15" Fanless Multi-Touch Computer, 2 GbE LAN, 2 SSD Tray, 2 SIM, 4 COM, 5 USB, Onboard Intel® Core™ i7-5650U
MTC-4015-2R350U	15" Fanless Multi-Touch Computer, 2 GbE LAN, 2 SSD Tray, 2 SIM, 4 COM, 5 USB, Onboard Intel® Core™ i5-5350U
MTC-4015-2R010U	15" Fanless Multi-Touch Computer, 2 GbE LAN, 2 SSD Tray, 2 SIM, 4 COM, 5 USB, Onboard Intel® Core™ i3-5010U
MTC-4015P	15" Fanless Multi-Touch Computer with 5th Gen Intel® Core™ i7/ i5/ i3 Processor (Broadwell-U), built with IP65

DDR3L8G	Certified DDR3L 8G RAM
DDR3L4G	Certified DDR3L 4G RAM
PWA-120W	120W, 24V, 90VAC to 264VAC Power Adapter with 3-pin Terminal Block
PWA-120WM4P	120W, 24V, 90VAC to 264VAC Power Adaptor with 4-pin Mini-DIN Connector
PWA-160W-WT	160W, 24V, 85VAC to 264VAC Power Adaptor with 3-pin Terminal Block, Wide Temperature -30°C to +70°C
Panel-Mount	Panel mount Kit
VESA-Mount	VESA Table Stand