



## MULTI-PURPOSE NIGHT VISION MONOCULAR

# FLIR SIRIUS®

The FLIR Sirius is a high-tech, tough, and durable multi-use Night Vision monocular. The Sirius can be hand-held, mounted to headgear or used for night photography. Optional lenses can turn it into a long range night viewing device in seconds. The Sirius features manual brightness control, bright light shut-off circuitry, and a built-in spot/flood IR illuminator.

[www.flir.com](http://www.flir.com)



### EXCEPTIONAL VISION

Manual gain control and built-in infrared illuminator

- Sirius is equipped with manual gain control so that the image brightness level can be selected by user to adjust for ambient light level in his area of operations.
- Built-in IR illuminator enhances night vision and allows for reading in the dark.



### VERSATILE DESIGN

Multiple viewing options accommodates rapidly changing field needs

- Use as a handheld monocular.
- Mount to a helmet, headgear, or camera.
- Position as a left or right eye monocular, or keep fully stowed away.



### COMPACT AND RUGGED

Perfect balance of size and performance

- Built with a tough, ergonomic composite housing.
- Needing only a single AA or CR123A battery for convenient operation, it can run up to 60 hours.
- Ergonomic, simple, easy to operate controls.

## SPECIFICATIONS

### General

Image intensifier tube	GEN 2+
Magnification	1x standard (3x, 5x optional)
Lens system	24mm, F/1.2
FOV	40°
Focus range	0.25m to Infinity
Eye relief	10 mm
Diopter adjustment	-5 to +5 dpt

### User Interface

Operation switch	On/ Off
Brightness adjustment knob	Variable gain control
Focus ring	Focuses the objective lens
Battery indicator	Battery status indication (In FOV)
Pivotal focusing lens	Focuses the beam of the built-in IR illuminator

### Features

Manual gain control	Yes
Bright light cut-off	Yes
Low battery indicator	Yes
Infrared illuminator	Yes
Automatic shut-off system	Yes

### Power

Battery type	Single AA (1.5V) or CR123A (3V)
Battery life (operating)	Up to 60 hours at 20°C

### Environmental

Operating temperature range	-40°C to +50°C (-40°F to +122°F)
Storage temperature range	-50°C to +70°C (-58°F to +158°F)

### Physical

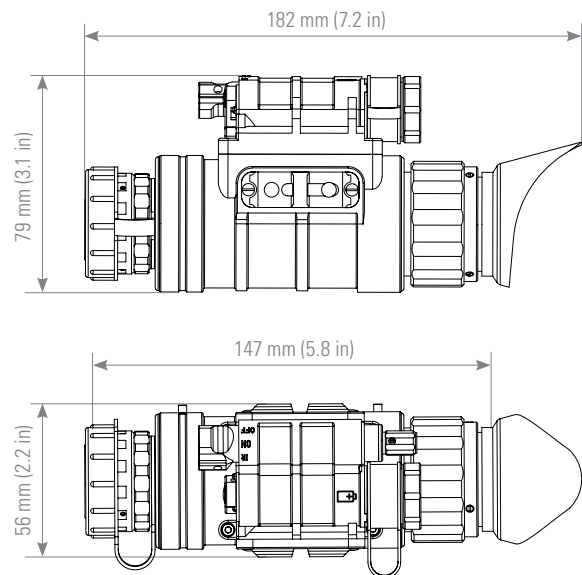
Weight	0.46 kg (1.0 lbs)
Overall dimensions	182×56×79 mm (7.2×2.2×3.1 in)
Dimensions (without eyecup and lens cap)	147×56×79 mm (5.8×2.2×3.1 in)
Color (housing)	Black
Country of origin	USA

### Package Includes

Night Vision Monocular, Lens Cap, Eyecup, Battery Adapter, Operation and Maintenance Manual, Lens Cloth, Soft Carrying Case

### Optional Accessories

ANHG000004 – Goggle Kit #2  
 ANHM000001 – Helmet Mount #4 (MICH/PASGT)  
 ANHM000183 – Helmet Mount #183 (Shroud)  
 ANHG000002 – Swing Arm #37 – Mini Rail Adapter to Bayonet Mount  
 ANHM000172 – Swing Arm #172 – Mini Rail to Dovetail Adapter  
 ANAF3X0023 – 3x Afocal Lens Kit: Lens #22 with Adapter #23  
 ANAF5X0023 – 5x Afocal Lens with Adapter #23  
 ANAMRF0003 – ARFS3 – Advanced Range-Finding Stadia for 3x A-Focal Lens  
 ANAMRF0005 – ARFS5 – Advanced Range-Finding Stadia for 5x A-Focal Lens  
 ANAM000004 – QRM – Quick-Release Weapon Mount #26/ #142  
 ANAM000045 – Extended Rail Adapter #85 – Dovetail Weaver Picatinny Rail Adapter  
 ANAM000016 – Camera Adapter #47  
 ANAM000006 – Universal Camera Adapter #45 – Fully-Adjustable Video/ Photo Camera Adapter  
 ANKIXLR017 – IR850-XLR Detachable Extra Long Range IR Illuminator w/Dovetail to Weaver Transfer Piece #21, Rechargeable Battery, and Charger  
 ANAF18XLRM – IR850XLR Afocal Doubler – Enhances performance of IR850-XLR  
 ANHC000001 – Hard Shipping/ Storage Case #101



Specifications are subject to change without notice.  
For the most up-to-date specs, go to [www.flir.com](http://www.flir.com)

### FLIR OUTDOOR & TACTICAL SYSTEMS

9 Townsend West,  
Nashua, NH 03063

Phone: 1-888-959-2259  
or (603) 324-7600  
Fax: 1-888-959-2260

### FLIR PRODUCT REPAIR CENTER

email: [US\\_CBUrepair@flir.com](mailto:US_CBUrepair@flir.com)  
Register on: [customer.flir.com](http://customer.flir.com)

### ORDER PLACEMENT, RETURN TO STOCK & INQUIRIES

email: [OTS-Orders@flir.com](mailto:OTS-Orders@flir.com)

### PRODUCT REGISTRATION

[flir.com/support-center/support-hq/](http://flir.com/support-center/support-hq/)

### TECHNICAL SUPPORT

email: [US\\_CBUsupport@flir.com](mailto:US_CBUsupport@flir.com)

[www.flir.com](http://www.flir.com)  
NASDAQ: FLIR

Equipment described herein may require US Government authorization for export purposes. Diversion contrary to US law is prohibited. Imagery for illustration purposes only. Specifications are subject to change without notice, check our website: [www.flir.com](http://www.flir.com)  
©2018 FLIR Systems, Inc. All rights reserved.  
Updated 11/22/2018

18-2275-OTS



The World's Sixth Sense™