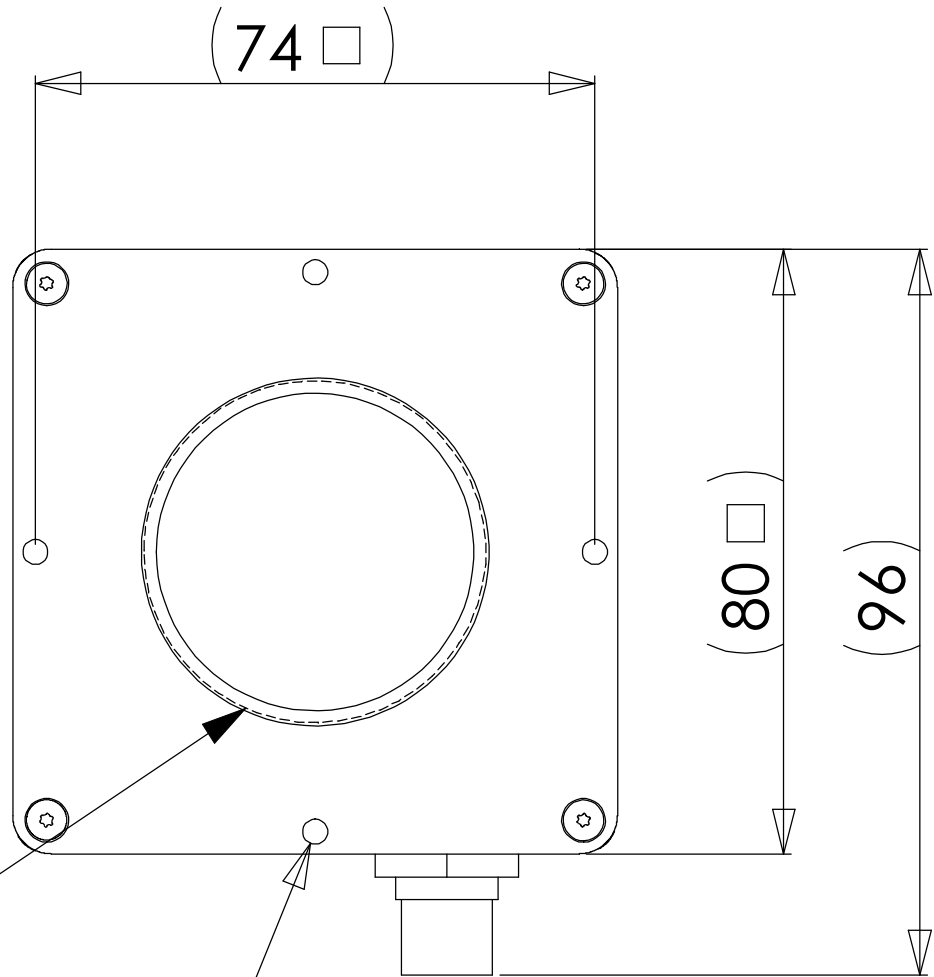
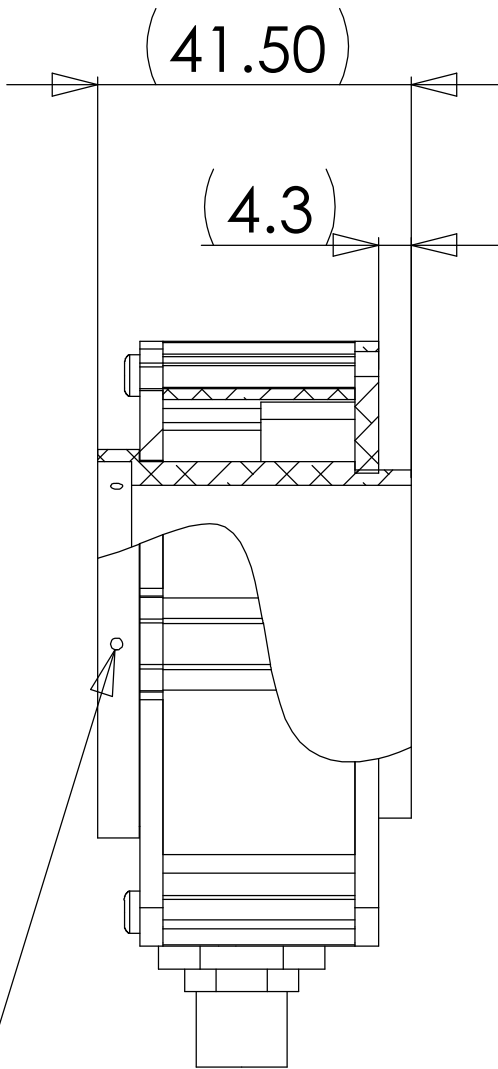


8 7 6 5 4 3 2 1

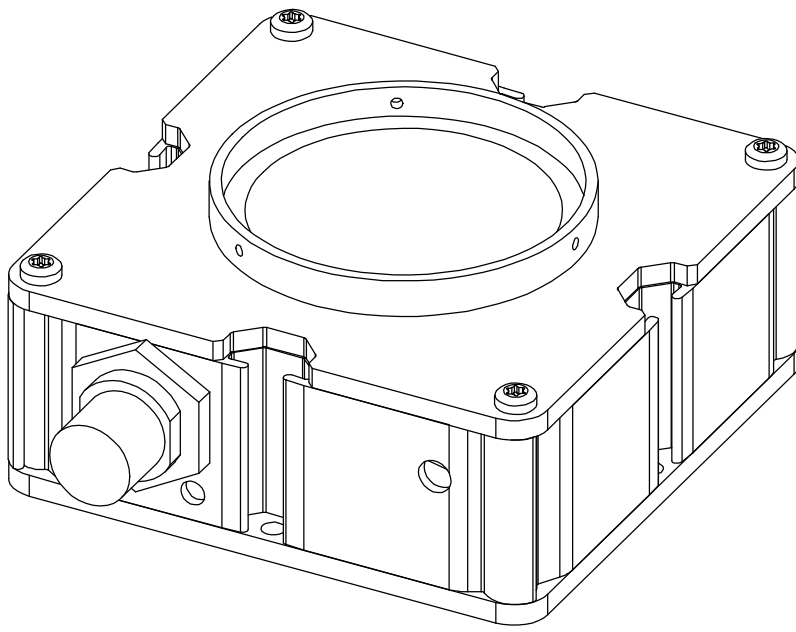
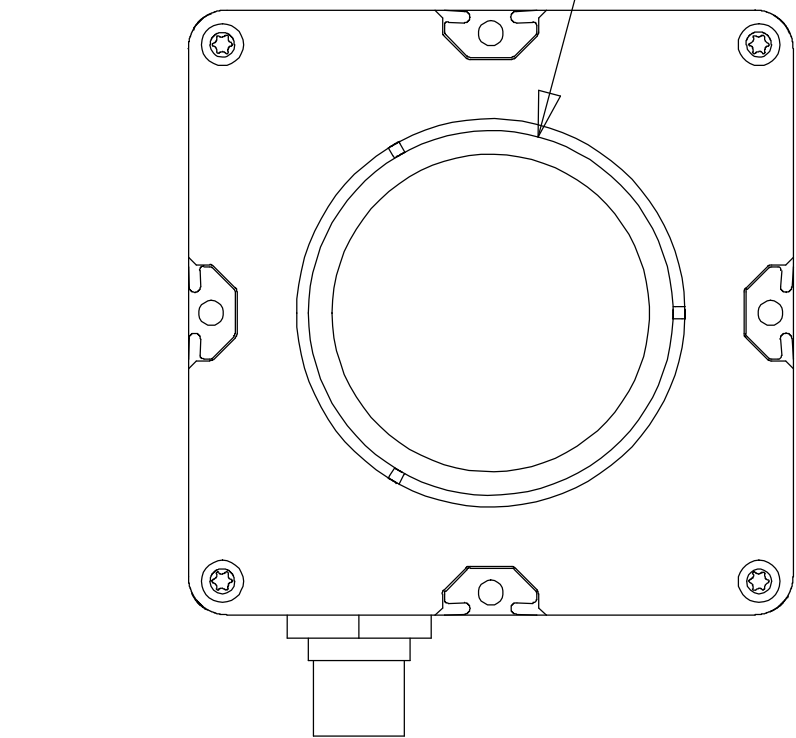
Ø 42 THRU
 □ Ø 48.25 ▽ 4.50



M46 X .75
 THREAD

3X EQUALLY SPACED
 M2x0.4 - 6H

4 x Ø 3.30 THRU ALL
 M4x0.7 - 6H THRU ALL



PROPRIETARY AND CONFIDENTIAL
 THE INFORMATION CONTAINED IN THIS
 DRAWING IS THE SOLE PROPERTY OF
 SmartVisionLights. ANY
 REPRODUCTION IN PART OR AS A WHOLE
 WITHOUT THE WRITTEN PERMISSION OF
 SmartVisionLights IS PROHIBITED.

		UNLESS OTHERWISE SPECIFIED:		DATE	NAME	R80-LIGHT	
		DIMENSIONS ARE IN MM		DRAWN BY	9/15/2009	SmartVisionLights.Com	
		TOLERANCES:		CHECKED		matt@smartvisionlights.com	
		FRACTIONAL ±1-64		ENG APPR.		SIZE	DWG. Name
		ANGULAR: MACH ±.25° BEND ±3°		MFG APPR.		B	R80-LIGHT
		TWO PLACE DECIMAL ±.10 mm		Q.A.		SCALE: 1:1	REV
		THREE PLACE DECIMAL ±.01 mm		COMMENTS:			
		INTERPRET GEOMETRIC TOLERANCING PER:					
		MATERIAL					
NEXT ASSY	USED ON	FINISH					
APPLICATION							

8 7 6 5 4 3 2 1