

SPC-3530

Ultra-compact Embedded System with Intel® Core™ i7/ i5/ i3 Processor (Skylake-U), -40°C to 85°C, 4 GigE LAN, 2 SSD, 1 SIM, 4 USB 3.0, 9 COM, Isolated DIO, Fanless, Rugged, Extended Temperature



Features

- Intel® Core™ i7/ i5/ i3 U-series SoC (Skylake-U)
- Fanless design, -40°C to 85°C Operating Temperature
- 9V to 36V DC Power Input, 16 Isolated DIO
- DDR4 2133MHz memory, up to 16GB
- Onboard DVI-D and DisplayPort display interfaces support up to 4K resolution
- Up to 5 Independent GigE LAN, iAMT 11.0 supported
- SIM socket for 3G/ 4G/ LTE/ WiFi/ GPRS/ UMTS
- 4 USB 3.0, 9 COM RS-232/ 422/ 485
- Optional supports full function SUMIT A, B expansions
- One-stop SUMIT Expansion Design and Manufacturing Services



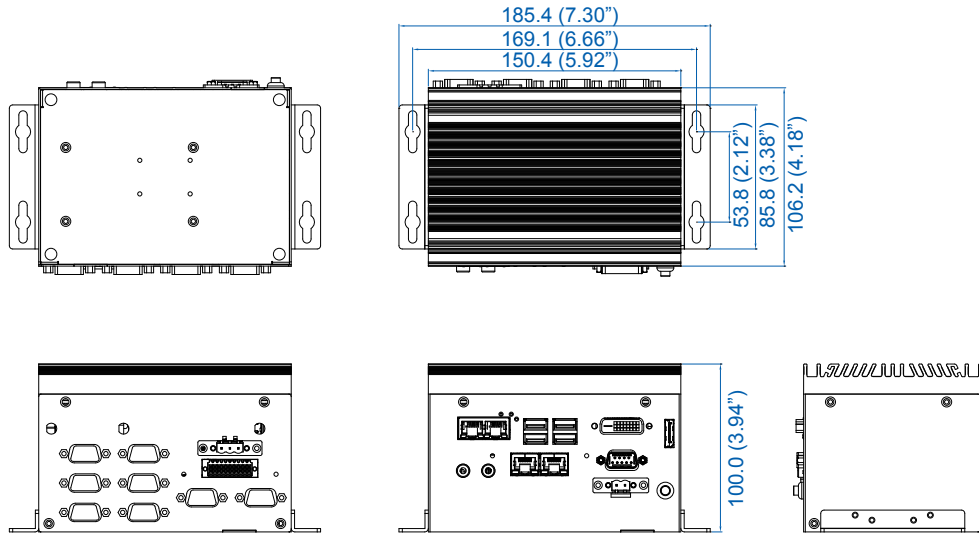
Specifications

| System | |
|--------------------|--|
| Processor | Intel® Core™ i7-6600U (Skylake-U) |
| Chipset | Intel® SoC (Skylake) |
| BIOS | AMI |
| SIO | IT8786E |
| Memory | 1 DDR4 2133MHz SO-DIMM, up to 16GB |
| I/O Interface | |
| Serial | 9 COM RS-232/ 422/ 485 |
| USB 3.0 | 4 USB 3.0 (External) |
| USB 2.0 | 4 USB 2.0 (Internal) |
| Isolated DIO | 16 Isolated DIO : 8 DI, 8 DO |
| LED | Power, HDD |
| SIM Card | 1 SIM Card Socket (Internal) |
| Expansion | |
| Mini PCIe | 2 Mini PCIe Socket : ▪ 1 Full-size for PCIe/ USB/ Internal SIM Card ▪ 1 Full-size for PCIe/ USB/ mSATA |
| SUMIT A, B | 2 SUMIT Slot (Optional) |
| Graphics | |
| Graphics Processor | Intel® HD Graphics 520 |
| Interface | ▪ DVI-D : Up to 1920 x 1200 @ 60Hz ▪ DisplayPort : Up to 4096 x 2304 @ 60Hz |
| Storage | |
| SATA | 2 SATA III (6Gbps) |
| mSATA | 1 SATA III (Mini PCIe Type, 6Gbps) |
| Storage Device | 2 2.5" SSD/ HDD Bracket (Internal) |
| Audio | |
| Audio Codec | Realtek ALC892, 5.1 Channel HD Audio |
| Audio Interface | 1 Mic-in, 1 Line-out |
| Ethernet | |
| LAN 1 | Intel® I219LM GigE LAN supports iAMT 11.0 |
| LAN 2 | Intel® I210 GigE LAN |
| LAN 3 | Intel® I210 GigE LAN |
| LAN 4 | Intel® I210 GigE LAN |

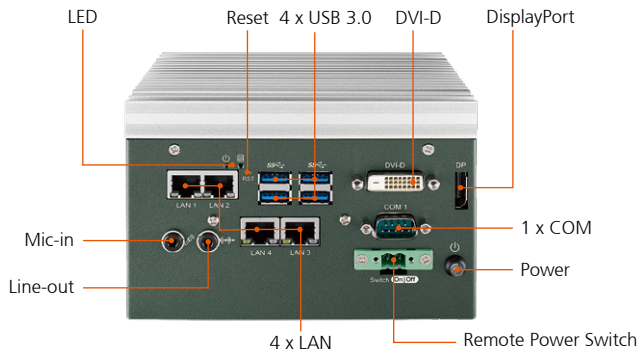
| Power | |
|------------------------|---|
| Power Input | 9V to 36V, DC-in |
| Power Interface | 3-pin Terminal Block : V+, V-, Frame Ground |
| Remote Switch | 2-pin Terminal Block : On, Off |
| Others | |
| Watchdog Timer | Reset : 1 to 255 sec./min. per step |
| Smart Management | Wake on LAN, PXE supported |
| HW Monitor | Monitoring temperature, voltages. Auto throttling control when CPU overheats. |
| Software Support | |
| OS | Windows 10, Windows 8.1, Windows 7, Linux |
| Mechanical | |
| Dimensions (W x L x H) | 150mm x 106mm x 100mm (5.92" x 4.18" x 3.94") |
| Weight | 2.1 kg (4.6 lb) |
| Mounting | ▪ Wallmount by mounting bracket ▪ DIN Rail Mount (Optional) |
| Environment | |
| Operating Temperature | -40°C to 85°C (-40°F to 185°F) |
| Storage Temperature | -40°C to 85°C (-40°F to 185°F) |
| Humidity | 5% to 95% Humidity, non-condensing |
| Relative Humidity | 95% @ 70°C |
| Shock | ▪ IEC 60068-2-27 ▪ SSD : 50G @ wallmount, Half-sine, 11ms |
| Vibration | ▪ IEC 60068-2-64 ▪ SSD : 5Grms, 5Hz to 500Hz, 3 Axis |
| Certification | CE, FCC, EN50155, EN50121-3-2 |

Dimensions

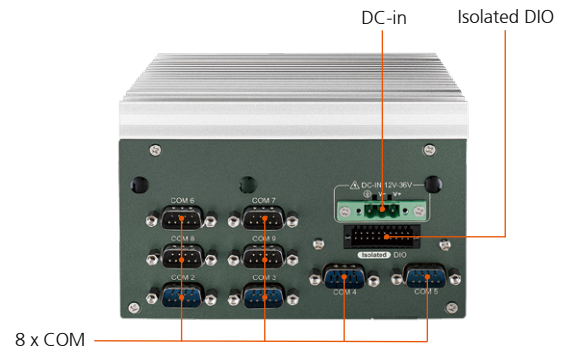
Unit : mm/ inch



Front I/O



Rear I/O



Order Information

| | |
|------------------------------------|---|
| SPC-3530-600U | SPC-3500, Intel® Core™ i7-6600U, 4 GigE LAN, 2 SSD, 4 USB 3.0, 9 COM, 1 SIM, Isolated DIO |
| DDR4 16G | Certified DDR4 16GB 2133MHz RAM |
| DDR4 8G | Certified DDR4 8GB 2133MHz RAM |
| DDR4 4G | Certified DDR4 4GB 2133MHz RAM |
| PWA-160W-WT | 160W, 24V, 85V AC to 264V AC Power Adapter with 3-pin Terminal Block, Wide Temperature -30°C to +70°C |
| PWA-120W | 120W, 24V, 90V AC to 264V AC Power Adapter with 3-pin Terminal Block |
| TMK2-20P-100 | Terminal Block 20-pin to Terminal Block 20-pin Cable, 100cm |
| TMK2-20P-500 | Terminal Block 20-pin to Terminal Block 20-pin Cable, 500cm |
| TMB-TMBK-20P | Terminal Board with One 20-pin Terminal Block Connector and DIN-Rail Mounting |
| VESA Mount | VESA Mounting Kit |
| DIN-RAIL | DIN Rail Kit |
| 3G Module | Mini PCIe 3G/GPS Module with Antenna |
| 4G Module | Mini PCIe 4G/GPS Module with Antenna |
| WiFi & Bluetooth Module | Intel® MiniPCIe WiFi & Bluetooth Module with Antenna |